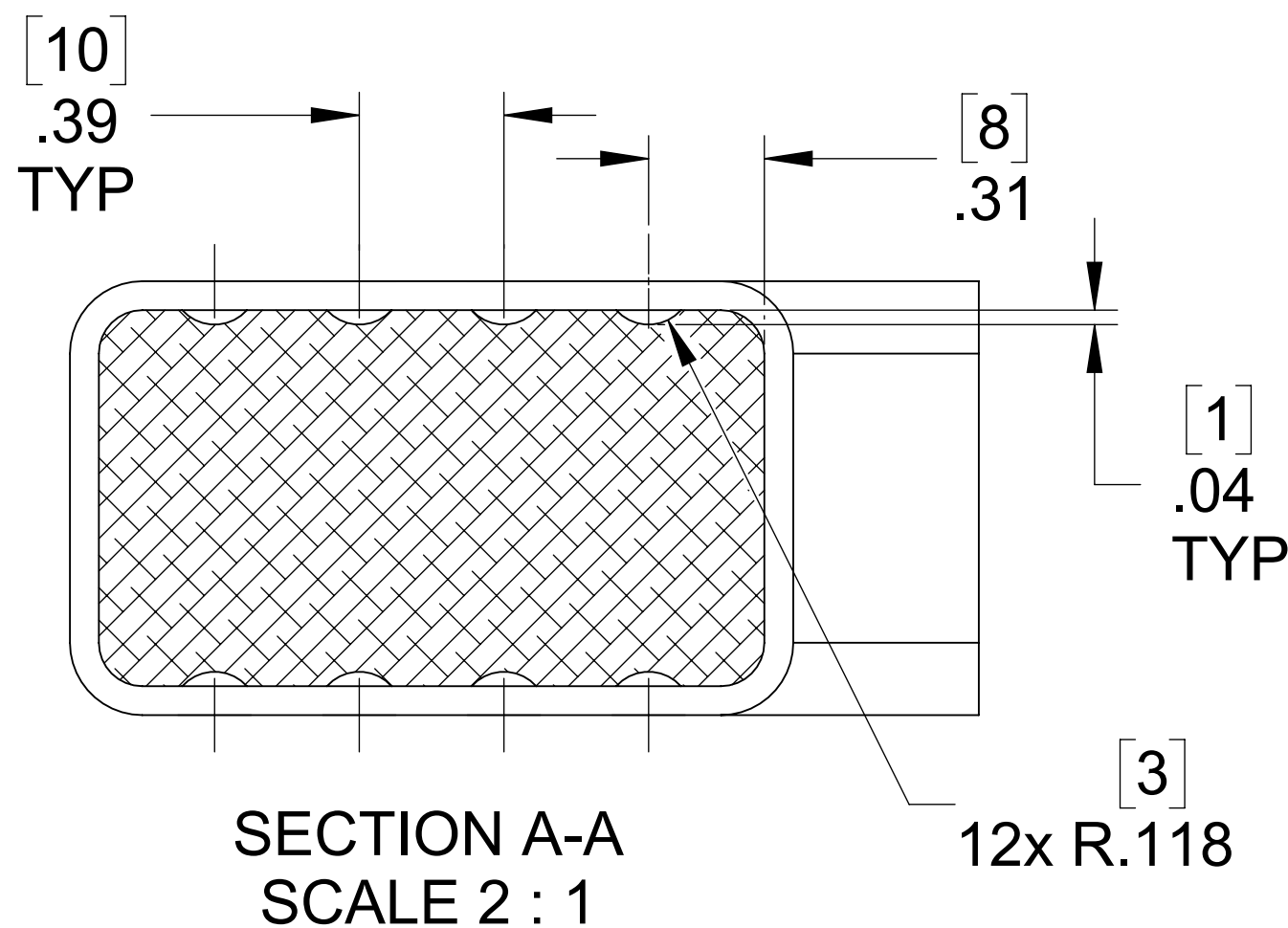
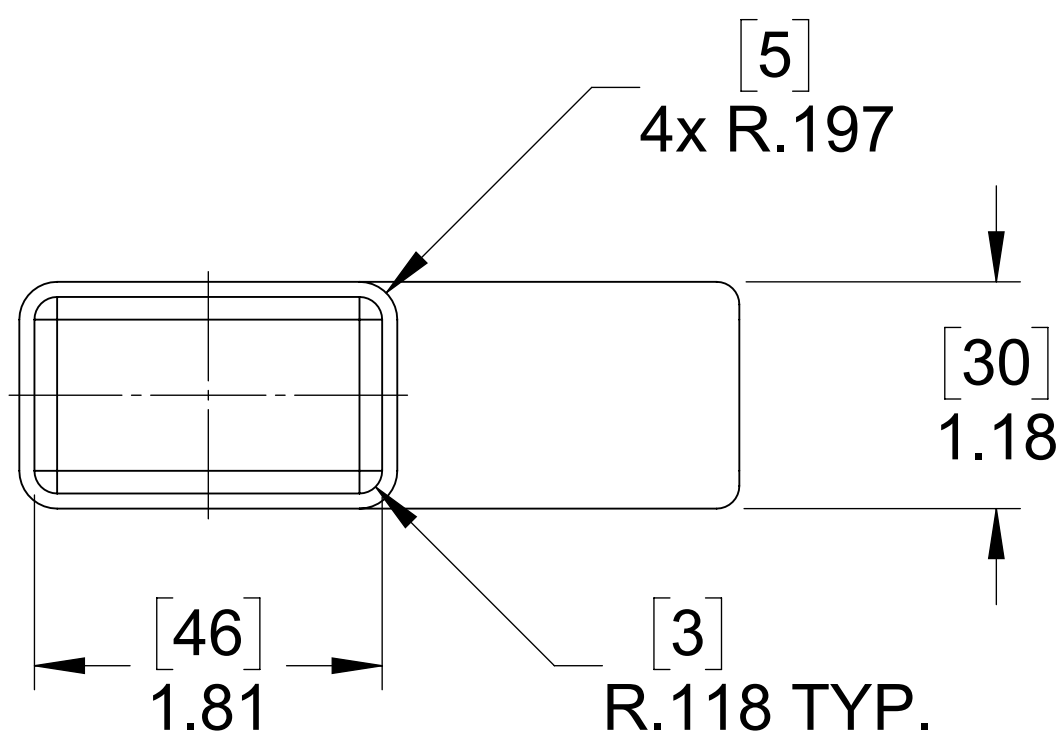
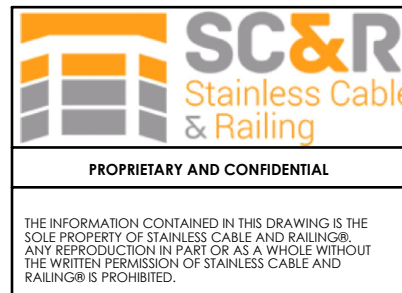


SECTION B-B
SCALE 2 : 1



SECTION A-A
SCALE 2 : 1

FINISH:
BLACK
BRONZE
NATURAL
WHITE
CLAY



NOTES: UNLESS OTHERWISE SPECIFIED		NAME	DATE
1. DUAL DIMENSIONS SHOWN - INCHES [MM].	DIMENSIONS ARE IN INCHES FRACTIONAL	DRAWN	SCR
2. MACHINED SURFACES TO BE 63μIN MAX.	ANGULAR: MACH ±	ENG APPR.	08/24/18
3. PART TO BE FREE OF BURRS AND SHARP EDGES.	TWO PLACE DECIMAL ±	MFG APPR.	
4. ALL MATERIAL TO BE CLEAN, DEGREASED AND FREE OF ALL IMPURITIES.	THREE PLACE DECIMAL ±	COMMENTS:	
5. ANY CHANGE MUST BE AUTHORIZED BY AN SC&R ENGINEER.	MATERIAL	MOLD MARKS REMOVED AND SANDED SMOOTH AND MADE PAINT READY	
	Alloy ADC12 Aluminum		
	FINISH		

SIZE	DWG. NO.	REV
C	013565	01

TITLE: POST TO POST HANDRAIL WALL RETURN		
SCALE: 1:1	WEIGHT:	SHEET 1 OF 1